



FILTERSORB CT

Refillable inserts w/ scale (temporary and permanent) media (NAC technology)

Item

SXP-1037:	10" slim line Filtersorb CT refill
SXP-2037:	20" slim line Filtersorb CT refill
SXP-1037BB:	10" big blue Filtersorb CT refill
SXP-2037BB:	20" big blue Filtersorb CT refill

Overview

Filtersorb CT, a chemical-free scale preventor and remover, which utilizes Nucleation Assisted Crystallization (NAC). NAC is the 3rd generation of this technology. Not to be confused with Template Induced Crystallization (TIC) or Template Assisted Crystallization (TAC), which is the 1st generation technology. NAC utilizes a quicker processing time (3 seconds) than TIC / TAC (10 seconds). Due to the timing, the CO₂ does not blend in the water like TIC / TAC therefore corrosion is not created over time. Unlike Phosphates or ion exchange that sequester molecules within the water, NAC technology encapsulates the water thus keeping the water's natural composition. Protects from Sulfate, Silicates, Phosphates, Fluoride, Chloride, Bromide, Carbonate, & Hydride (permanent scale)

Benefits

1. No change in TDS or pH
2. Chemical free
3. Biocides: NAC technology creates CO₂ micro bubbles. CO₂ bubbles actively destroys bacterial membranes acting as a biocide
4. Protects ice machines, boilers, steam generators and coffee equipment against the formation and accumulation of both temporary and permanent scale
5. Rated for water hardness > 15 grains Energy savings - Existing scale removal will allow equipment to operate at maximum efficiency
6. A 99.6% effectiveness rating when tested by an independent laboratory against the international protocol for scale prevention.

Installation and Operational tips

Install vertically so bowls hang down

Allow 2-1/2" clearance below the cartridge for easy cartridge replacement

Make sure O-ring on bowl is sufficiently lubricated

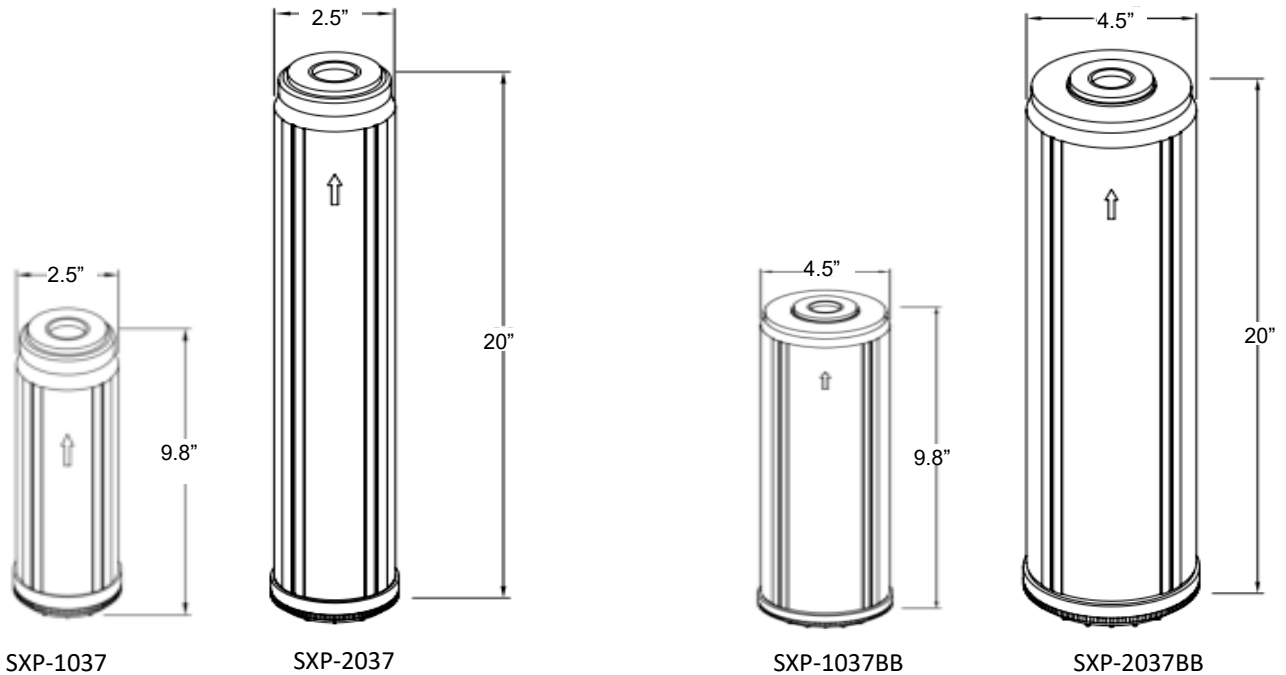
Installation of a sediment filter is recommended in front on the filter. 0.5-micron sediment filter for ice machines and espresso equipment. 1 – 5-micron sediment filter (based on water quality) for other kitchen equipment

Filter should be preceded by a carbon filter to protect it from Chlorine or Chloramines.

When flow becomes too slow or restricted, first try replacing sediment filter. Then check for Chlorine. If traces found, change carbon filter. If slow flow continues, change filter cartridge

Performance

Item #	Item Description	GPM	Gallons
SXP-1037	10" slim line Filtersorb CT refill	1.0	10,000
SXP-2037	20" slim line Filtersorb CT refill	2.0	20,000
SXP-1037BB	10" big blue Filtersorb CT refill	3.0	30,000
SXP-2037BB	20" big blue Filtersorb CT refill	4.0	40,000



Inserts fit most standard 10" and 20" slim line and big blue housings

Specifications

Minimum Operating Temperature:	40° F / 4° C
Maximum Inlet Temperature:	100° F / 37.8° C
Minimum Operating Pressure:	20 psig / 1.38 bar
Maximum Operating Pressure:	80 psid / 5.52 bar

This product is for commercial use only and must be installed and maintained according to manufacturer's guidelines.
Do not use on water that is microbiologically unsafe or of unknown his quality without adequate disinfection before or after the system

Limited Liability

Replacement filter cartridges are warranted for defects in material and workmanship only. Service life of replacement filter cartridges varies significantly with local water conditions and volume and thus cannot be warranted. Furthermore, if used with a membrane, separation of membranes are equally susceptible to feedwater conditions (e.g. presence of iron, alum and silica) and shall be warranted only for defects in construction. Failure due to fouling, hydrolysis, oxidation or other damage caused by the local water conditions is not covered under warranty.

Shipping details

Item #	Item Description	Case count	Weight (lbs.)	Length (inches)	Width (inches)	Height (inches)
SXP-1037	10" Slim line Filtersorb CT refill	20	32	10	12	22
SXP-1037BB	10" Big blue Filtersorb CT refill	6	32	10	12	22
SXP-2037	20" Slim line Filtersorb CT refill	9	32	10	12	22
SXP-2037BB	20" Big blue Filtersorb CT refill	6	32	10	12	22



The filter cartridge is tested and certified by WQA against NSF/ANSI Standard 42 for material safety requirements only.



Gilbert, AZ 85298
(370) 530-7151 ext. 1
www.Scalexpro.com

WARNING:
Cancer and Reproductive Harm - www.P65Warnings.ca.gov.