



The Game Changer

10", 12" and 14" Quick change filter

Regular carbon block w/ Filtersorb SP3 temporary scale media using NAC technology

Overview

Quick-change filters are that in every sense of the word. Whether using the quick connect option or 3/8" threaded head, these filters can be changed within a minute. It's as simple as a twist, remove, insert replacement and twist again. This type of filter is recommended for those who's time is a bit more valuable than money. Carbon block filter with Filtersorb SP3, a chemical-free scale preventor and remover, which utilizes Nucleation Assisted Crystallization (NAC). Effectively inhibits the formation of calcium-magnesium scale through encapsulation, not sequestration, without changing the pH.

Item #	Item Description	Micron	Chlorine capacity	
			GPM	Gallons
SXP-10GCR	10" Game Changer filter refill	5.0	1.00	4,000
SXP-12GCR	12" Game Changer filter refill ext cap	5.0	1.50	6,000
SXP-14GCR	14" Game Changer filter refill	5.0	2.00	8,000

Benefits

1. Biocides: NAC technology creates CO₂ micro bubbles. CO₂ bubbles actively destroys bacterial membranes acting as a biocide (Any substance that can destroy living organisms)
2. Prevents and removes scale from ice machines, boilers, steam generators, combi steam oven, espresso and coffee equipment for water hardness <= 26 grains of hardness
3. pH neutral and no change in TDS
4. Green technology – NO CHEMICALS
5. Calcium and magnesium remain in the water for better taste and health
6. Carbon filtration for removal of bad taste & odors, sediment, dirt, rust, and suspended solids
7. 100% filtration (no bypass)
8. Corrosion inhibitor for NAC (Calcium Carbonate Crystals). Corrosion inhibitor from phosphates is calcium phosphate scale. Phosphates and phosphonates have shown negative barrier effect against uniform corrosion on all metals.
9. No tradeoffs: Water softening, and polyphosphates address hard water issues, however they create other issues (corrosion, scale, and biofouling)

* All Materials are certified NSF individually 42 and 61* Not performance tested or certified by NSF or WQA

Installation and Operational tips

- ✓ Filter must be installed vertically
- ✓ Check inlet pressure is =< 80 psi
(Higher pressure will push the scale media to the top and become lodged, restricting flow)
- ✓ Flush new cartridge for 10 minutes prior to use
- ✓ Installation of a sediment filter is recommended in front on the filter.
- ✓ 0.5-micron sediment filter for ice machines and espresso equipment. 1 – 5-micron sediment filter (based on water quality) for other kitchen equipment
- ✓ Check the carbon efficiency, by using a Chlorine test strip to test the water. If Chlorine is present, replace the filter.
- ✓ If carbon test shows no traces of Chlorine and flow becomes too slow or restricted, try replacing sediment filter.

Carbon should ALWAYS be changed annually even if no traces of Chlorine appear in testing to avoid cross contamination from bacteria growth.

Notes

Important Notice: Performance claims are based on a complete system, including a filter and connection to a pressurized water source. This filter must be placed in an appropriate system and operated according to the system's specifications in order to deliver the claimed performance. It is essential to follow operational, maintenance, and filter replacement requirements, as directed for each application, for this filter and system to perform correctly. Read the Manufacturer's Performance Data Sheet accompanying the system and change the filter as suggested. The contaminants or other substances removed or reduced by this water filter are not necessarily in all users' water.

1. Performance of a given ScaleX Pro carbon filter varies in direct proportion to the total weight of carbon in each filter.
2. Projected chlorine taste and odor reduction capacity when tested in accordance with NSF / ANSI Standard 42 protocol.
3. Nominal particulate rating is for >85% of a given size as determined from single-pass particle counting results.*
4. Absolute particulate rating is for >99.9% of particles of a given size as determined from single-pass particle counting results.**
5. Actual results obtained will vary with various combinations of organic contaminants, changes in pH or other conditions encountered in actual use.
6. All information presented here is based on data believed to be reliable. It is offered for evaluation and verification but is not to be considered a warranty of any kind.

* Nominal Filter Rating: Filter rating indicating the approximate size particle, the majority of which will not pass through the filter. It is generally interpreted as meaning that 85% of the particles of the size equal to the nominal micron rating will be retained by the filter. (WQA Glossary of Terms, Third Edition, 3-97).

** Absolute Filter Rating: Filter rating meaning that 99.9% (or essentially all) of the particles larger than a specific micron rating will be trapped on or within the filter. (WQA Glossary of Terms, Third Edition, 3-97).

Limited Liability

ScaleX Pro makes no warranties of any kind, expressed or implied, statutory or otherwise, and expressly disclaims all warranties of every kind, concerning the product, including, without limitation, warranties of merchantability and fitness for a particular purpose, except that this product should be capable of performing as described in this product's data sheet.

ScaleX Pro's obligation shall be limited solely to the refund of the purchase price or replacement of the product proven defective, at ScaleX Pro's sole discretion.

Determination of suitability of this product for uses and applications contemplated by Buyer shall be the sole responsibility of Buyer. Use of this product constitutes Buyer's acceptance of this Limited Liability.

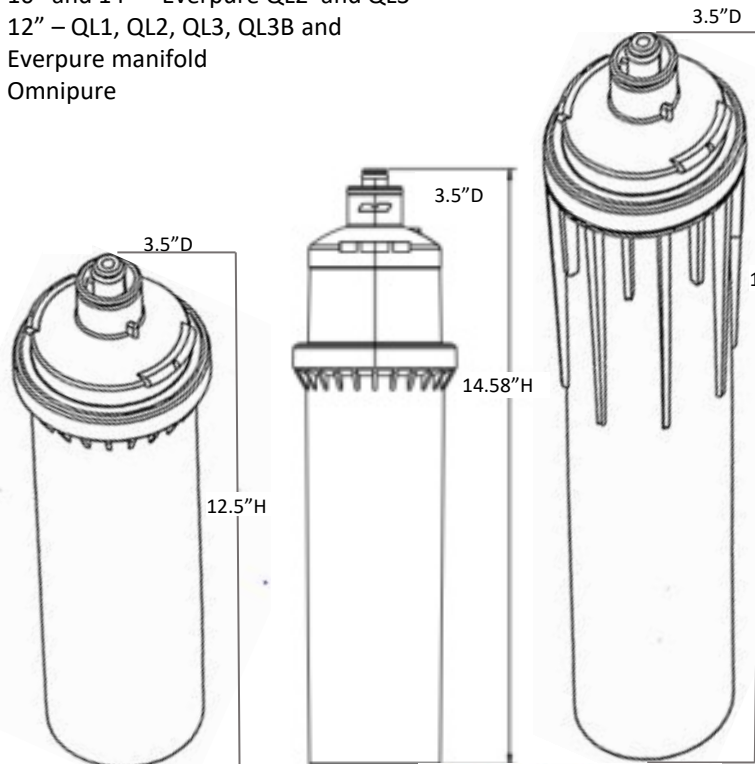
Head compatibility:

10" and 14" – Everpure QL2 and QL3

12" – QL1, QL2, QL3, QL3B and

Everpure manifold

Omnipure



Specifications

Minimum Operating Temperature:	40° F / 4° C
Maximum Inlet Temperature:	125° F / 52° C
Minimum Operating Pressure:	20 psig / 1.38 bar
Maximum Operating Pressure:	80 psig / 6.9 bar
Maximum Differential Pressure:	60 psig / 4.14 bar
Collapse Pressure:	150 psig / 10.35 bar

ScaleX Pro filters are not to be autoclaved or steam-sterilized. Use only with microbiologically safe and adequately disinfected water



The filter cartridge is tested and certified by NSF International against NSF/ANSI Standard 42 for material safety requirements only.



The filter cartridge is tested and certified by WQA against NSF/ANSI Standard 42 for material safety requirements only.

Shipping details

10" filter	
Case count:	12
Weight:	24 lbs.
Case dimensions:	L: 17" x W: 13" x H: 14"
12" filter	
Case count:	12
Weight:	28 lbs.
Case dimensions:	L: 17" x W: 13" x H: 14"
14" filter	
Case count:	6
Weight:	28 lbs.
Each dimensions:	L: 18" x W: 14" x H: 17"