



Activesorb CX

10" and 14" Quick change filter w/ with steam activated granular activated carbon

Overview

Quick-change filters are that in every sense of the word. Whether using the quick connect option or 3/8" threaded head, these filters can be changed within a minute. It's as simple as a twist, remove, insert replacement and twist again. This type of filter is recommended for those who's time is a bit more valuable than money. A high activity granular activated carbon manufactured by steam activation of selected coconut shells. Our carbon is superior to other granular carbon as it does have some catalytic properties and provides limited Chloramine removal capabilities.

Item #	Item Description	* Chlorine capacity	
		GPM	Gallons
SXP-10ASR	10" Activesorb CX filter refill	1.0	4,000
SXP-14ASR	14" Activesorb CX filter refill	2.0	8,000

Benefits

Highly effective in the removal of:

- | | |
|---|--|
| <ol style="list-style-type: none"> 1. Suspended solids (≤ 5 micron) 2. Bad taste, odors and color | <ol style="list-style-type: none"> 3. Turbidity 4. Chlorine and Chlorine By-Products 5. Chloramines (limited) |
|---|--|

1	Catalytic activation	Steam
2	Moisture content	3% (max)
3	Surface area (BET)	1100 m ² /g
4	Apparent density	522 kg/m ³
5	Iodine #	1100 m ² /g

1. Process of carbon to make catalytic
2. The higher the moisture content the less adsorption of the carbon. Ideal carbon typically has less than 5% moisture content.
3. Measures the pore size and volume. The greater the number the higher the level of adsorption. (SEE DEFINITION BELOW)
4. Measures the weight of a fixed volume of carbon. Higher apparent density provides greater volume activity; indicates a better-quality.
5. Measures the surface area of the carbon granule. The higher the number the greater the level of adsorption.

Installation and Operational tips

Filter must be installed vertically

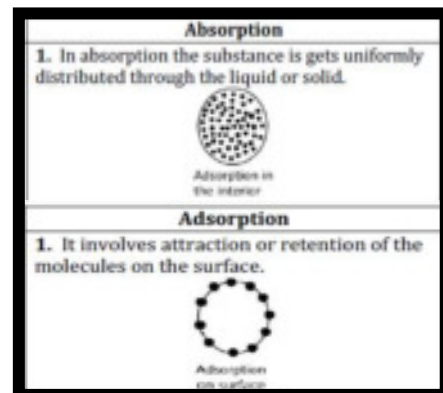
Check inlet pressure is ≤ 80 psi

Flush new cartridge for 10 minutes prior to use

Installation of a sediment filter is recommended in front on the filter. 0.5-micron sediment filter for ice machines and espresso equipment. 1 – 5-micron sediment filter (based on water quality) for other kitchen equipment

If carbon test shows no traces of Chlorine and flow becomes too slow or restricted, try replacing sediment filter.

Carbon should ALWAYS be changed annually even if no traces of Chlorine appear in testing to avoid cross contamination from bacteria growth.



Notes

Important Notice: Performance claims are based on a complete system, including a filter and connection to a pressurized water source. This filter must be placed in an appropriate system and operated according to the system's specifications in order to deliver the claimed performance. It is essential to follow operational, maintenance, and filter replacement requirements, as directed for each application, for this filter and system to perform correctly. Read the Manufacturer's Performance Data Sheet accompanying the system and change the filter as suggested. The contaminants or other substances removed or reduced by this water filter are not necessarily in all users' water.

1. Performance of a given ScaleX Pro carbon filter varies in direct proportion to the total weight of carbon in each filter.
2. Projected chlorine taste and odor reduction capacity when tested in accordance with NSF / ANSI Standard 42 protocol.
3. Nominal particulate rating is for >85% of a given size as determined from single-pass particle counting results.*
4. Absolute particulate rating is for >99.9% of particles of a given size as determined from single-pass particle counting results.**
5. Actual results obtained will vary with various combinations of organic contaminants, changes in pH or other conditions encountered in actual use.
6. All information presented here is based on data believed to be reliable. It is offered for evaluation and verification but is not to be considered a warranty of any kind.

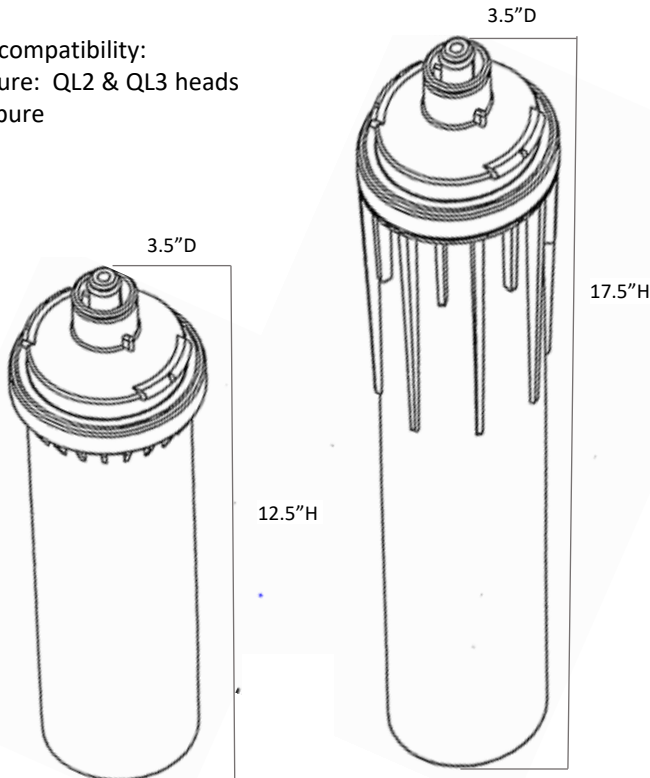
* Nominal Filter Rating: Filter rating indicating the approximate size particle, the majority of which will not pass through the filter. It is generally interpreted as meaning that 85% of the particles of the size equal to the nominal micron rating will be retained by the filter. (WQA Glossary of Terms, Third Edition, 3-97).

** Absolute Filter Rating: Filter rating meaning that 99.9% (or essentially all) of the particles larger than a specific micron rating will be trapped on or within the filter. (WQA Glossary of Terms, Third Edition, 3-97).

Limited Liability

ScaleX Pro makes no warranties of any kind, expressed or implied, statutory or otherwise, and expressly disclaims all warranties of every kind, concerning the product, including, without limitation, warranties of merchantability and fitness for a particular purpose, except that this product should be capable of performing as described in this product's data sheet. ScaleX Pro's obligation shall be limited solely to the refund of the purchase price or replacement of the product proven defective, at ScaleX Pro's sole discretion. Determination of suitability of this product for uses and applications contemplated by Buyer shall be the sole responsibility of Buyer. Use of this product constitutes Buyer's acceptance of this Limited Liability.

Head compatibility:
Everpure: QL2 & QL3 heads
Omnipure



SCALEXPRO
WATER

Specifications

Minimum Operating Temperature:	40° F / 4° C
Maximum Inlet Temperature:	125° F / 52° C
Minimum Operating Pressure:	20 psig / 1.38 bar
Maximum Operating Pressure:	80 psig / 6.9 bar
Maximum Differential Pressure:	60 psig / 4.14 bar
Collapse Pressure:	150 psig / 10.35 bar

ScaleX Pro filters are not to be autoclaved or steam-sterilized. Use only with microbiologically safe and adequately disinfected water



COMPONENT

The filter cartridge is tested and certified by WQA against NSF/ANSI Standard 42 for material safety requirements only.

Shipping details

10" filter
Case count: 12
Weight: 24 lbs.
Case dimensions: L: 17" x W: 13" x H: 14"

14" filter
Case count: 6
Weight: 28 lbs.
Each dimensions: L: 18" x W: 14" x H: 17"

www.Scalexpro.com

Gilbert, AZ 85298 (480) 530-7151 ext. 1